

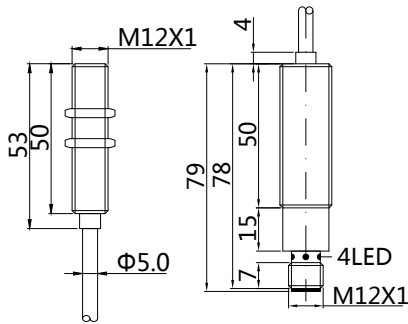


**Features:**

- M12\*1 mm , Metal housing;
- 3mm , flush mountable;
- DC 3-wire , switching output;
- Withstand High-temperatures(-25...150°C);
- Cable & Connector versions

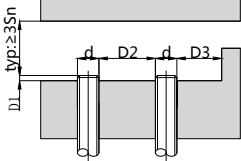
**RoHS** **CE**

**Dimensioned drawing**



**Mounting**

(flush mounting)



Sn	D1	D2	D3
M1203	≥0	≥12	≥12

**!** Tightening torque of the fastening screws: <10Nm!

Correction Factor	
Nav-ferrous metal	Factor
Fe360	1
Aluminum	0.35~0.45
Brass	0.35~0.5
Copper	0.25~0.45
Stainless steel	0.6~1.0
Cast Iron	0.93~1.05
Nickel	0.65~0.75

**Model No.**

Sensing range	<b>Sn: 3 mm</b>
NPN	SIHF-M12-03P-V11-K3-3M12-150EXT
PNP	SIHF-M12-03N-V11-K3-3M12-150EXT

**Technical data**

Electrical data	Operating voltage	10-30V DC
	Switching frequency	500Hz/150°C
	Voltage drop	≤1.8V
	Leakge current	<0.01mA
	Amplifier	External
	Load current	200mA
	No load current	≤25mA
	Hysteresis	3-15%(Sr)
	Repeatability	<3.0%(Sr)
	Temperature drift	<10%(Sr)
	Short circuit protection	Yes
	Overload protection	Yes
	Polarity reversal protection	Yes
Environment	Ambient temperature	-25...150°C
	Ingress protection	IP66
Mechanical data	Housing material	Stainless steel
	Face material	PEEK
Electrical connection	Connectors	KFF46PH cable/3m ; 3*0.26mm <sup>2</sup> S12 connetor

**Wiring**

