



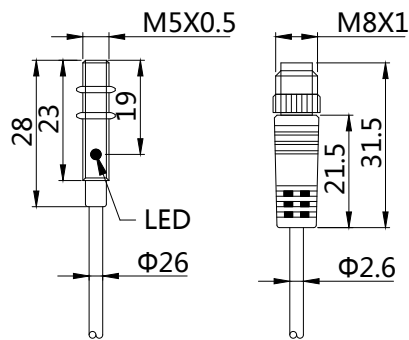
**Features:**

- M5\*0.5 mm , Stainless steel housing;
- 0.8/1.2mm , flush mountable;
- DC 3-wire , switching output;
- Cable & pigtail versions

**RoHS**

**CE**

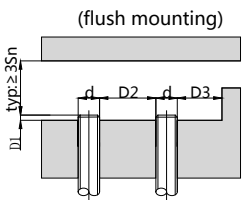
**Dimensioned drawing**



**Model No.**

Sensing range	Sn: 0.8 mm	Sn: 1.2 mm
NPN N. O	SIF-M5-0.8N-V11-0.3M8	SIF-M5-1.2N-V11-0.3M8
NPN N. C	SIF-M5-0.8N-V21-0.3M8	SIF-M5-1.2N-V21-0.3M8
PNP N. O	SIF-M5-0.8P-V11-0.3M8	SIF-M5-1.2P-V11-0.3M8
PNP N. C	SIF-M5-0.8P-V21-0.3M8	SIF-M5-1.2P-V21-0.3M8

**Mounting**



Sn	D1	D2	D3
M50.8	≥0	≥5	≥5
M51.2	≥0	≥5	≥5

⚠ Tightening torque of the fastening screws: <1.5Nm!

Correction Factor	
Nav-ferrous metal	Factor
Fe360	1
Aluminum	0.35~0.45
Brass	0.35~0.5
Copper	0.25~0.45
Stainless steel	0.6~1.0
Cast Iron	0.93~1.05
Nickel	0.65~0.75

**Technical data**

<b>Electrical data</b>	Operating voltage	10-30V DC
	Switching frequency	2000Hz
	Voltage drop	≤2.0V
	Leakge current	<0.01mA
	Load current	100mA
	No load current	≤10mA(24V)
	Hysteresis	<15%(Sr)
	Repeatability	<1.0%(Sr)
	Temperature drift	<10%(Sr)
	Short circuit protection	Yes
	Overload protection	Yes
	Polarity reversal protection	Yes
<b>Environment</b>	Ambient temperature	-25...70°C
	Ingress protection	IP67
<b>Mechanical data</b>	Housing material	Stainless steel
	Face material	POM
<b>Electrical connection</b>	Connectors	PVC cable/0.3m ; 3*0.15mm <sup>2</sup> With M8 connector

**Wiring**

