


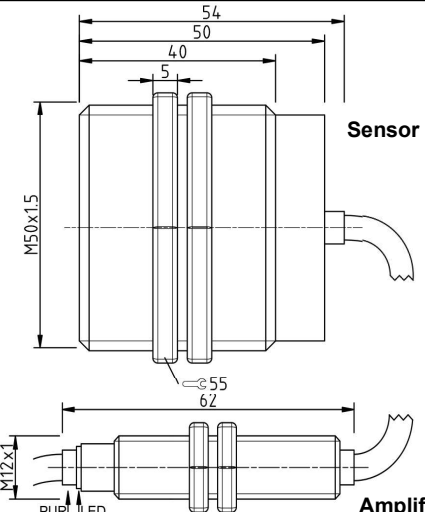
HIGH TEMPERATURE INDUCTIVE PROXIMITY SENSORS

Sensing Distance: 20 mm - Housing Diameter: M50



Dimensions are in mm.

Part Numbers:	
PNP/NO	IN20-50HTPS-250EXT
PNP/NC	IN20-50HTPO-250EXT
NPN/NO	IN20-50HTNS-250EXT
NPN/NC	IN20-50HTNO-250EXT



Sensor

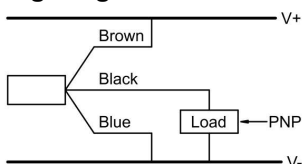
Amplifier

Technical Data:	External amplifier version
Mounting:	Shielded
Sensing range in mm:	20
Supply voltage:	10-35 VDC
Output function:	N.O. or N.C.
Load current:	120 mA
Switching Frequency:	200 Hz
Short circuit limit:	200 mA
Cable:	Sensor: PTFE, Amplifier: PUR
Sensor operating temp.:	-13 to 482 °F (-25 to 250 °C)
Target size:	50 x 50 x 1 mm ST37
Hysteresis:	3 to 20 %
LED:	Yes (on amplifier)
Options:	Cable length, Cable type

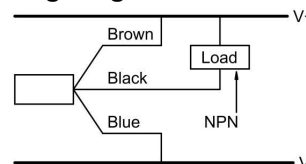
These sensors share the following specifications:

- | | |
|---------------------------------------------------------------------------------------------------------------------------------------------------------------------------------------------------------------------------------------------------------------------------------------------------------------------------------------------------------------------------------------------------------------------------------------------------------------------------------------------------------------------------------------------------------------------------------------------------------------------------------|----------------------------------------------------------------------------------------------------------------------------------------------------------------------------------------------------------------------------------------------------------------------------------------------------------------------------------------------------------------------------------------------------------------------------------------------------------------------------------------------------------------------------------------------------------------------------------------------------------------------------------------------------|
| <ul style="list-style-type: none"> * The EMC (Electromagnetic Compatibility) resistance of the switches:
IEC 61000-4-2 Level 2 IEC 61000-4-4 Level 2
IEC 61000-4-3 Level 2 IEC 60255-5 1 kV * Sensing range can vary +/- 10 %. * Voltage spikes (300 V for 1 ms, 10 Hz) * All standard cables are 3 x 0.25 mm² and a length of 2 m +/- 5 %. * Output capacity is 100 nF. * Storage temperature -13 °F to + 176 °F (-25 °C to 80 °C). * Relative humidity is 100 %. * Vibration resistant to 1 mm amplitude at 55 Hz. | <ul style="list-style-type: none"> * Shock resistant to 5 g for a period of 11 ms. * Degree of protection (DIN 40 050) is IP67 (higher IP options may be available). * Reverse polarity protection is incorporated on the supply voltage. * Load resistor of 100 kOhm is incorporated. * Leakage current is 4 mA at 24 V supply voltage. * Residual ripple is 15 %. * Voltage drop is approximately 2 V when sensor is on. * Sensing face material is: LPC-Vectra. * Temperature specification for external amplifier:
+14 to +158°F (-10 °C to 70 °C). |
|---------------------------------------------------------------------------------------------------------------------------------------------------------------------------------------------------------------------------------------------------------------------------------------------------------------------------------------------------------------------------------------------------------------------------------------------------------------------------------------------------------------------------------------------------------------------------------------------------------------------------------|----------------------------------------------------------------------------------------------------------------------------------------------------------------------------------------------------------------------------------------------------------------------------------------------------------------------------------------------------------------------------------------------------------------------------------------------------------------------------------------------------------------------------------------------------------------------------------------------------------------------------------------------------|

Wiring Diagram PNP NO/NC



Wiring Diagram NPN NO/NC



Special types and silicone free versions are available upon request

Design and technical details subject to change